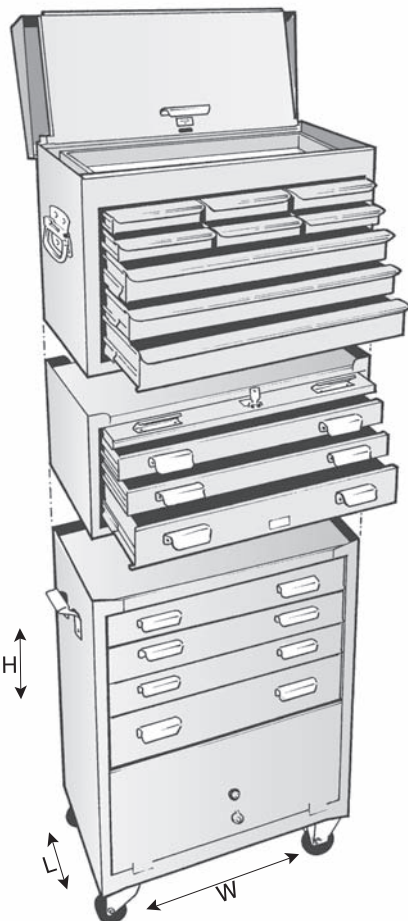



'EDEN' TOOL CHESTS & TOOL BOXES



	DESCRIPTION	PART No.	
	<p>TOOL CHESTS</p> <ul style="list-style-type: none"> • Heavy Gauge Electrogalv Steel, Powdercoat Finish • Heavy Duty Steel Slides, Stainless Steel Handles <p>3 x Drawer Stacker base XLU3 670 W x 345 L x 280mm H</p> <p>6 x drawer Tool Chest XL6 660 W x 330 L x 365mm H</p> <p>9 x drawer Tool Chest XL9 660 W x 330 L x 405mm H</p> <p>10 x drawer Tool Chest XL10 660 W x 345 L x 480mm H</p> <p>13 x drawer Tool Chest XL13 660 W x 340 L x 560mm H</p> <p>4 x drawer Tool Mobile T4 680 W x 460 L x 860mm H</p> <p>6 x drawer Tool Mobile T6 680 W x 460 L x 860mm H</p>	<p>10006</p> <p>10008</p> <p>10009</p> <p>10010</p> <p>10012</p> <p>10002</p> <p>10004</p>	
	<p>TOOL BOXES</p> <p>S5 Toolbox Heavy duty with tool tray 510 W x 215 L x 200mm H</p> <p>DF19 Toolbox Heavy Duty drop front with tote tray 510 W x 215L x 200mm H</p> <p>P25 Tool Box Heavy Duty with tote tray 640 W x 245 L x 315mm H</p>	<p>10116</p> <p>10120</p> <p>10025</p>	

All prices are exclusive of G.S.T.